



# Hunan Kontak Technology Co,Ltd



# **2020**

Urban lighting Essence series

>>>>> 4 in 1 Solution

# KTSL5803S



The manufacturer reserves all rights to make changes in the materials and components used in its products. All data is subject to change without prior notice. The tolerance for all the given data is 10%.

## Product Description:

- Essence series is an excellent street lighting solution for urban areas of important architectural value, a smart and versatile design of 4-in-1 installation, post-top mounting, bracket side entry mounting.
- Equipped with high-quality electrical components, long lifetime is assured. Tool-free design and power switch-off device, enables easy, safe and minimal cost for maintenance. Efficient system could reduce energy consumption and to create a more attractive urban living environment and visual comforts for public and residential areas.
- With patented housing design and range of optics, *Essence* series luminaire is also a perfect choice for project oriented usage.

## Features:

- Smart and versatile design of 3-in-1 installation
- Excellent thermal management
- Outstanding self-cleaning capability
- Patented optics for increased application efficiency
- Tool-free maintenance

## Application:

- Urban streets
- Public areas
- Parking lots
- Residential areas



## Specifications:

### KTSL5803S

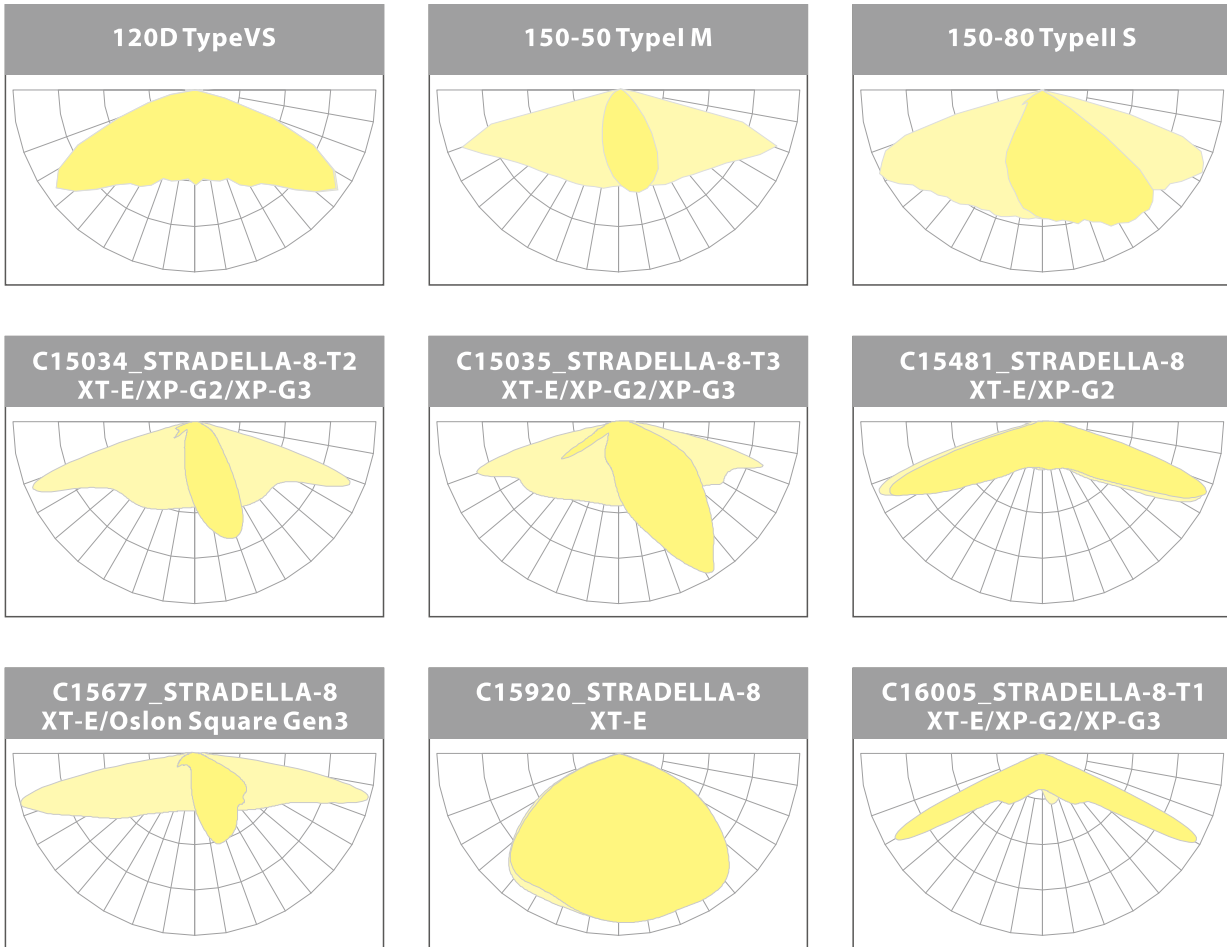


Model	KTSL5803SA/SB/SC/SD
Light source	Integral LED Module
Power	20W/30W/40W/50W/60W (Other power upon request)
Luminaire flux	2200-7800lm
Luminaire efficacy	110-140lm/W
CCT	4000K (3000K/5000K/5700K upon request)
CRI	> 70 > 80(upon request)
Lifetime	100,000 hours at 25°C ambient temperature
Operating temperature range	-30 to 45°C
Driver	Meanwell (Inventronics optional) Other brand of driver(upon request)
Electrical	Class I or Class II Input voltage: 90-305VAC/50-60Hz,170-305VAC/50-60Hz 10KV/20KV SPD Power automatically switch off when opening
Dimming	Dali 1-10V PWM AstroDIM for autonomous dimming with five independent levels Smart control management system
Options	Photocell Surge protection device (up to 20KV) 0.5m External cable(Other length upon request) Smart control device Motion detection
Materials	Housing: ADC12 die-cast aluminum Cover: Toughened cambered/flat glass Screws: 304 stainless screws
Color	Grey/ Black/ white
Tightness level	IP66
Impact Resistance	IK08
Installation	Recommended mounting height: 3-8M
Standards & Certifications	CE Pending ENEC Pending CB Pending GS Pending IEC Pending ROHS Pending LM80 Pending LM79 Pending TM21 Pending

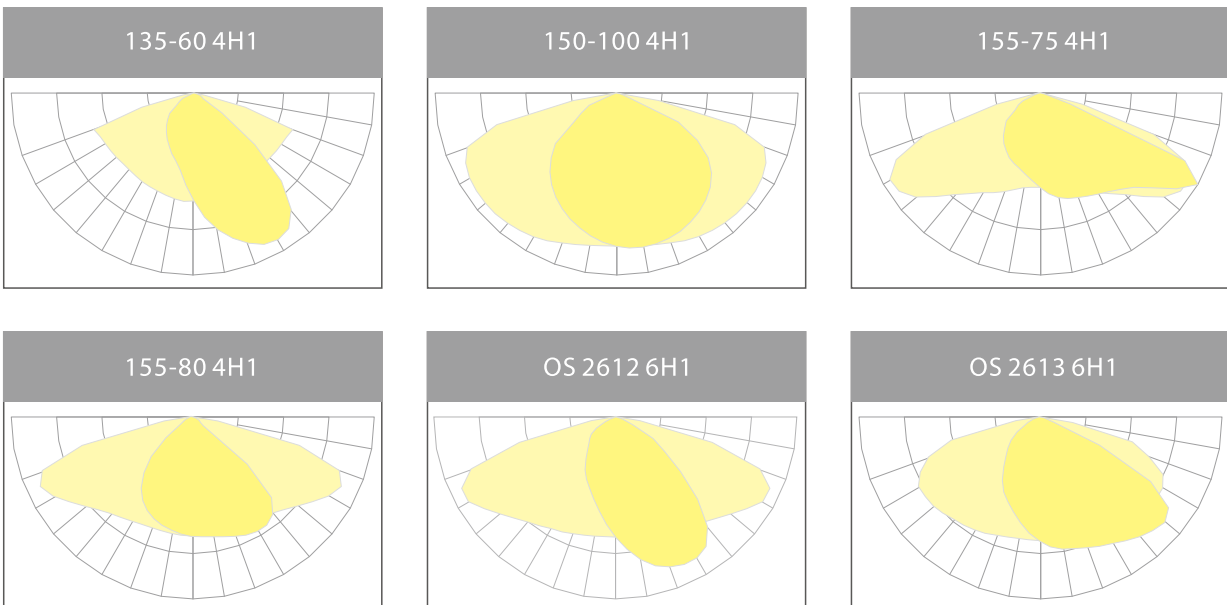
## Luminous Intensity Distribution Diagram

The Essence series LED street light luminaire come with a robust optic compartment design, enable many different options of LED chipset and optic lens modules, which will help customers to always cope with the latest development of efficiency of led by using different type of led package, from 3030, 3535 to 5050.

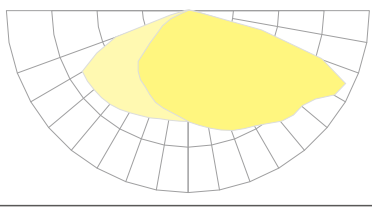
Option 1: with 3535 LED package, basically the Essence could offer 9 standard light distribution curves as following



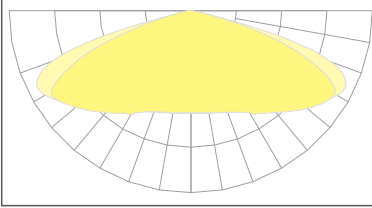
Option 2: with 5050 LED package, basically the Essence could offer 27 standard light distribution curves as following



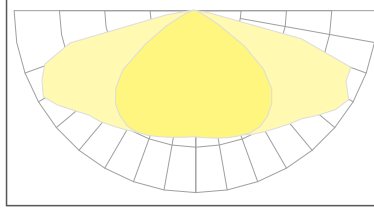
OS 2614 6H1



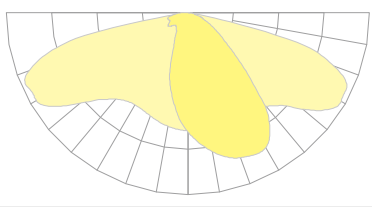
OS 2615 6H1



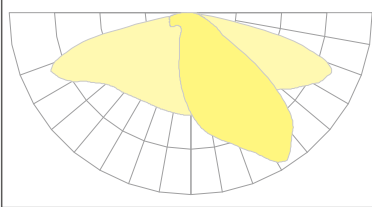
C13300\_STRADA-2X2-T2



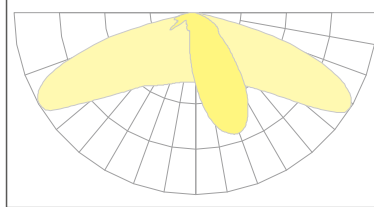
C12362\_STRADA-2X2-DWC



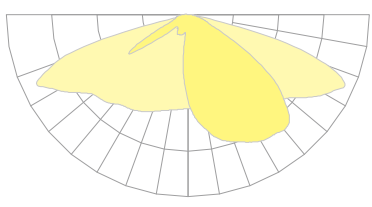
C13299\_STRADA-2X2-ME



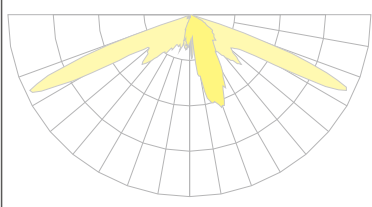
C13300\_STRADA-2X2-T2



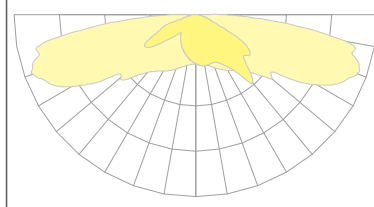
C13301\_STRADA-2X2-T3



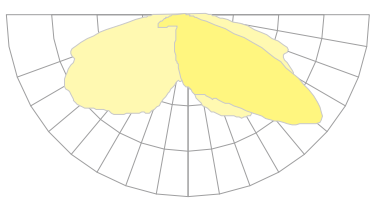
FP15589\_STRADA-2X2MXS-T2



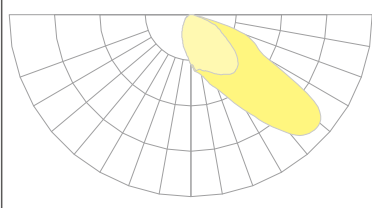
C13858\_STRADA-2X2-XW



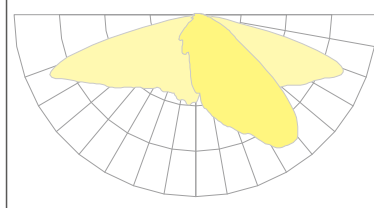
C15687\_STRADA-2X2-FW



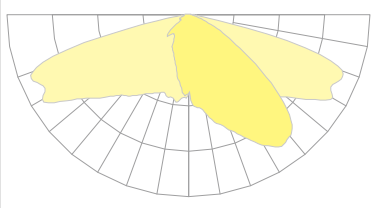
C14116\_STRADA-2X2-PX



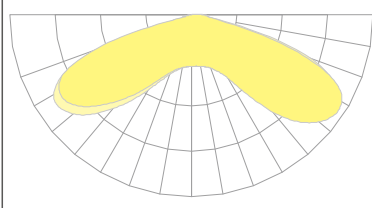
C14164\_STRADA-2X2-ME -WIDE1



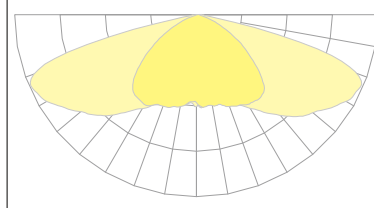
C14165\_STRADA-2X2-ME -WIDE2



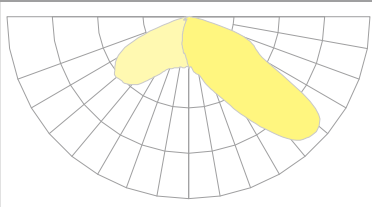
C14680\_STRADA-2X2-VSM



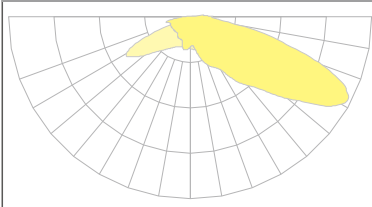
C14750\_STRADA-2X2-CAT



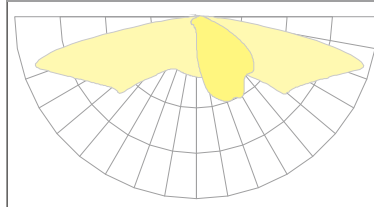
C14896\_STRADA-2X2-PXL



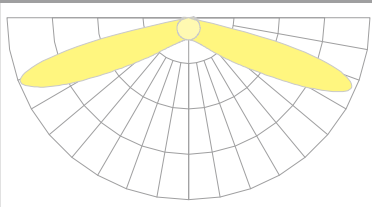
C15014\_STRADA-2X2-T4



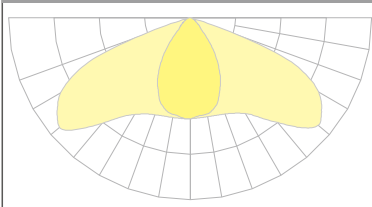
C15021\_STRADA-2X2-SCL



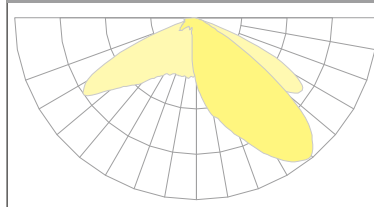
C15135\_STRADA-2X2-T1



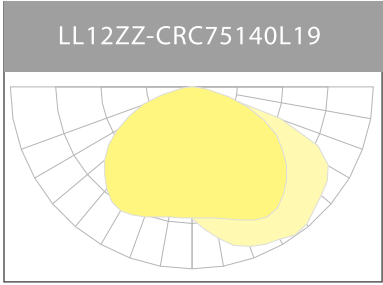
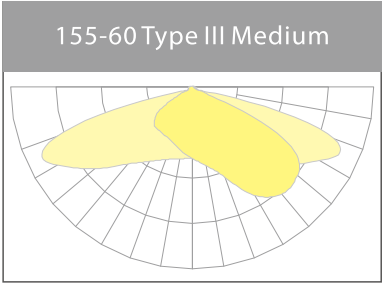
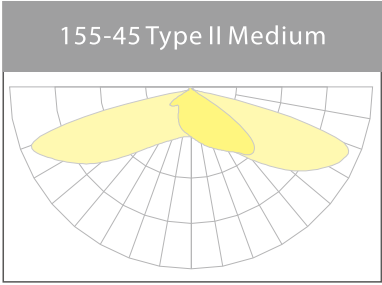
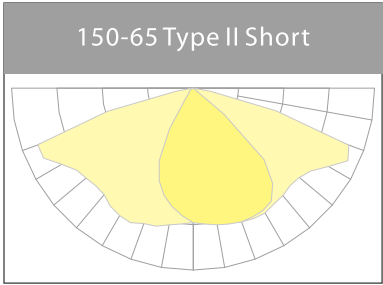
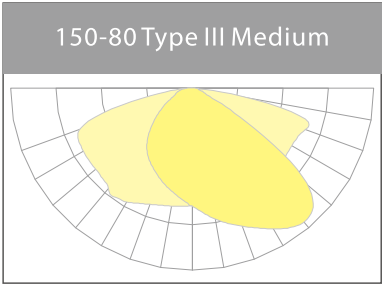
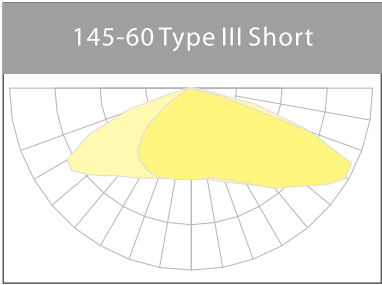
C15217\_STRADA-2X2-CAT-B



C15594\_STRADA-2X2-MEW



Option 3: with 3030 LED package, basically the Essence could offer 6 standard light distribution curves as following



Die-casting aluminum canopy

Electrical disconnect, automatically disconnect the power supply when opening the luminaire

IP67 LED driver

SPD 10KV/20KV

Galvanized steel supporting bracket, for easy maintenance

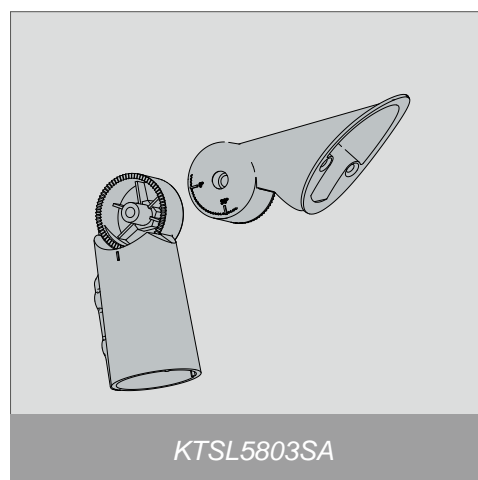
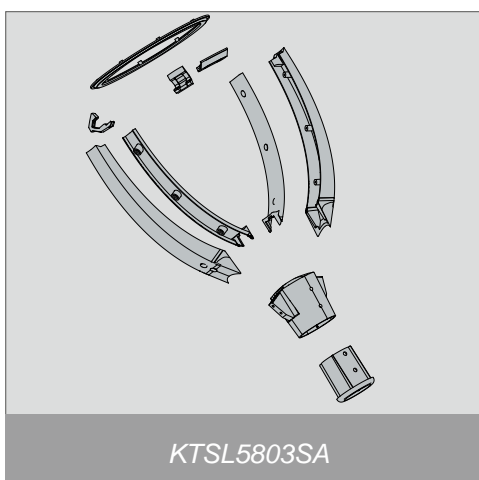
LED chipset and PCB

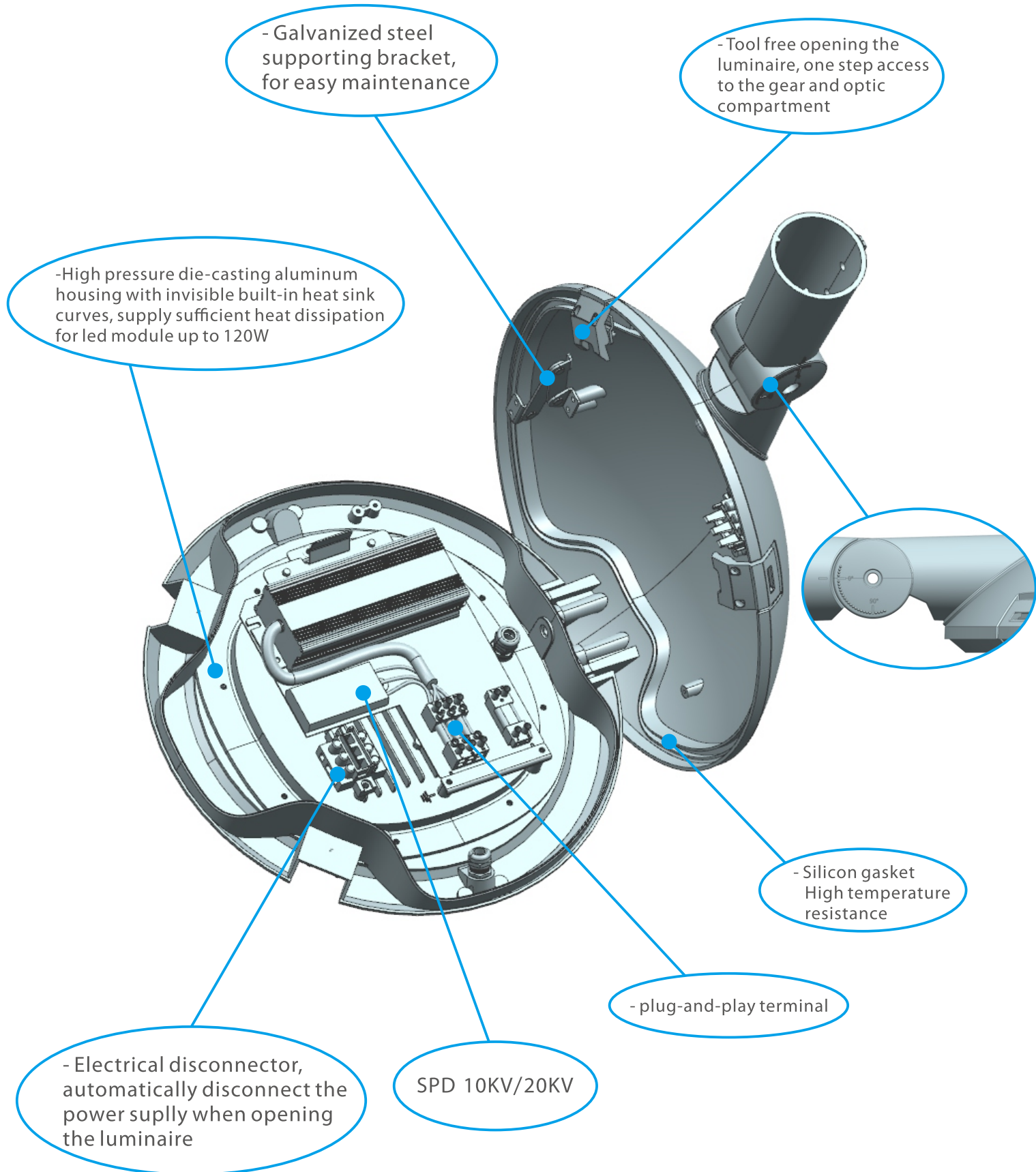
Optic lens Module

silicon gasket

Toughened cambered/flat glass

Tool free opening the luminaire, one step access to the gear and optic compartment

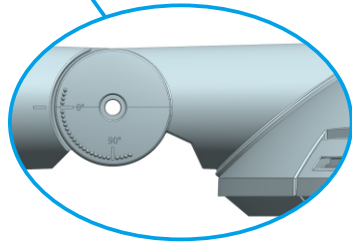




- Galvanized steel supporting bracket, for easy maintenance

- Tool free opening the luminaire, one step access to the gear and optic compartment

- High pressure die-casting aluminum housing with invisible built-in heat sink curves, supply sufficient heat dissipation for led module up to 120W



- Silicon gasket High temperature resistance

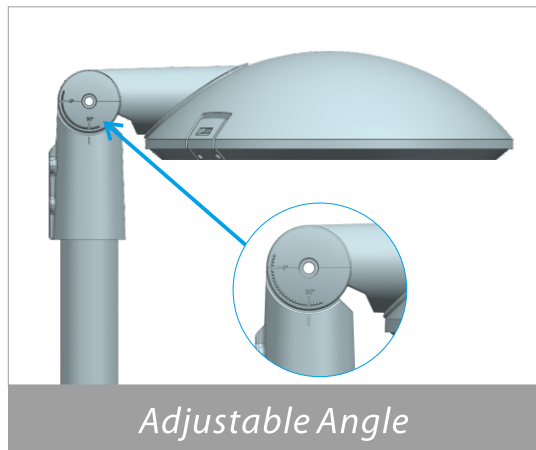
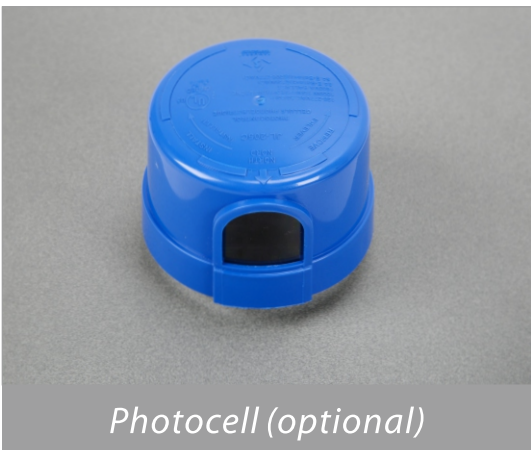
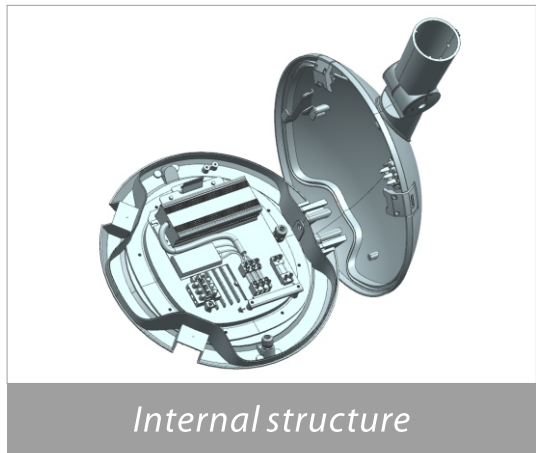
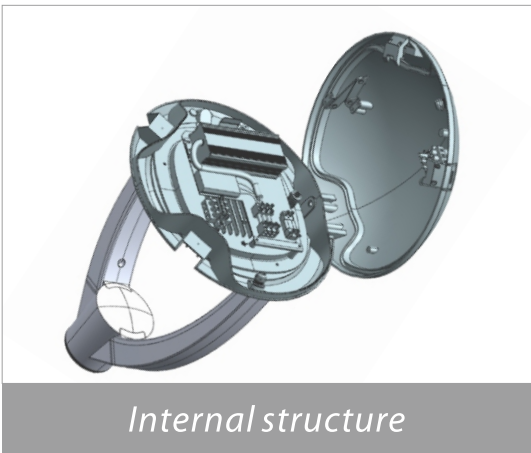
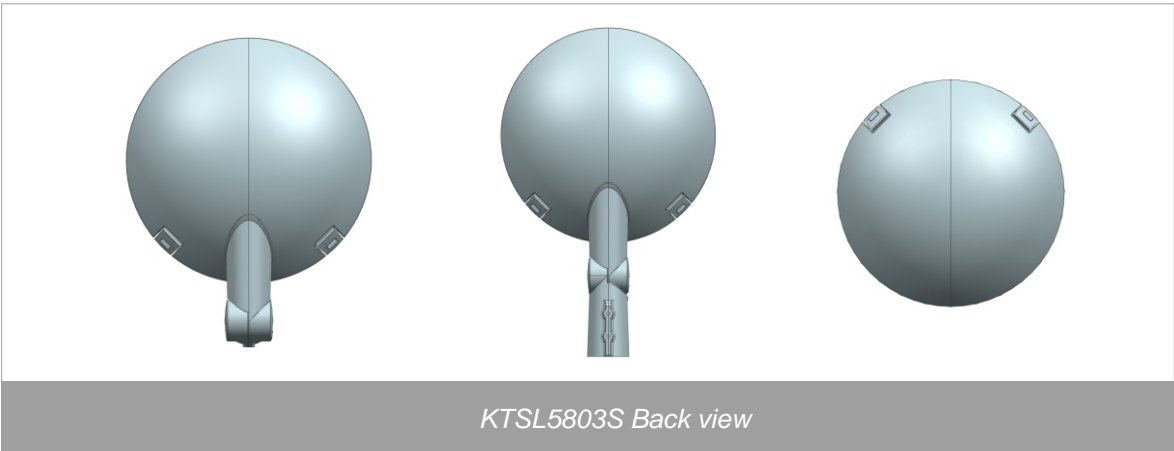
- plug-and-play terminal

SPD 10KV/20KV

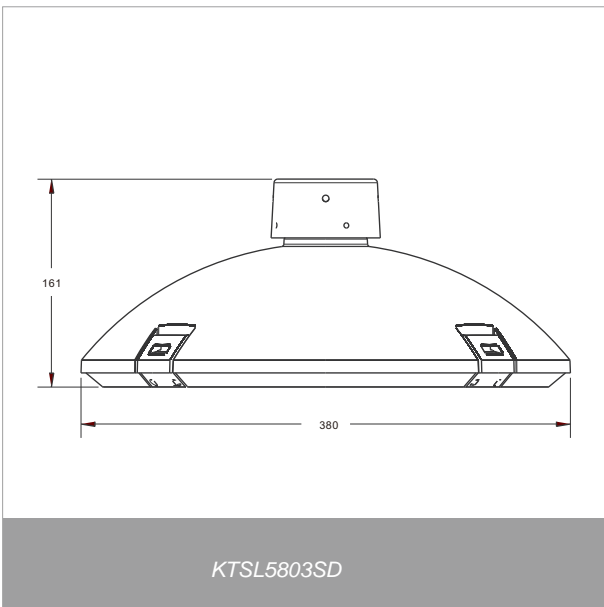
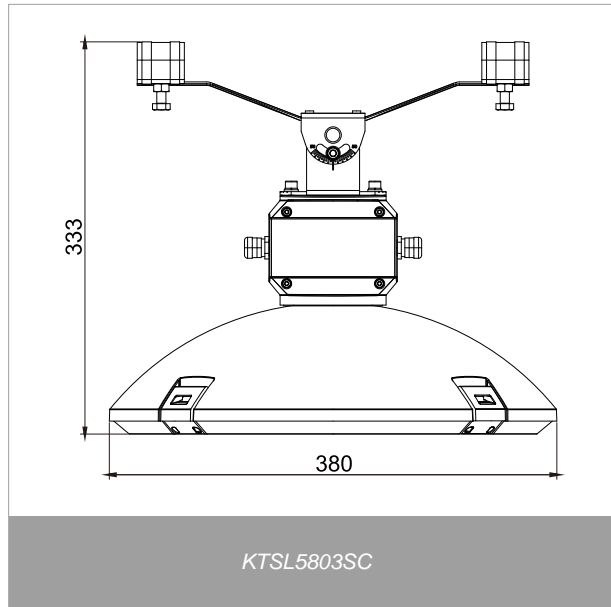
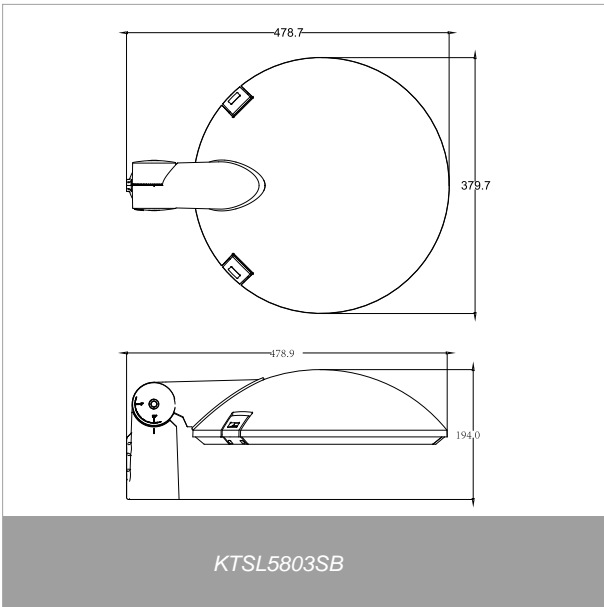
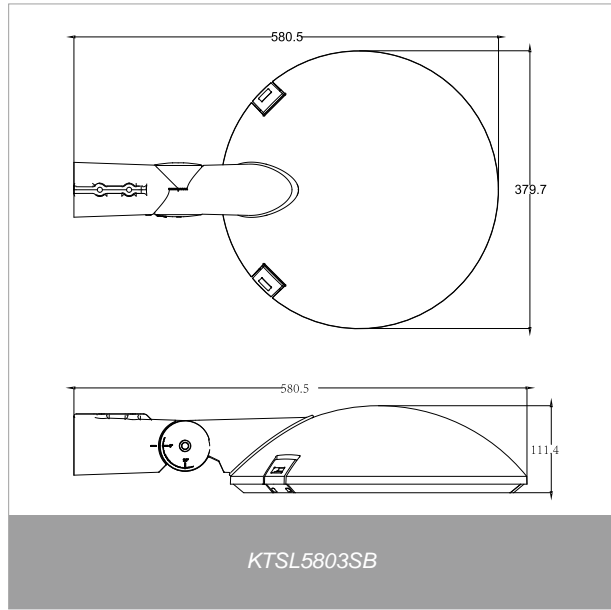
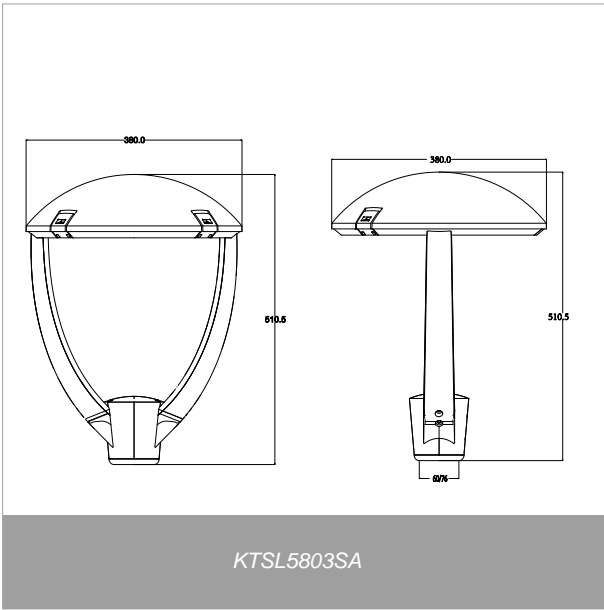
- Electrical disconnecter, automatically disconnect the power supply when opening the luminaire



**Pictures:**



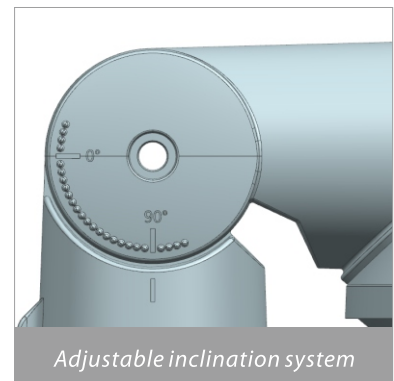
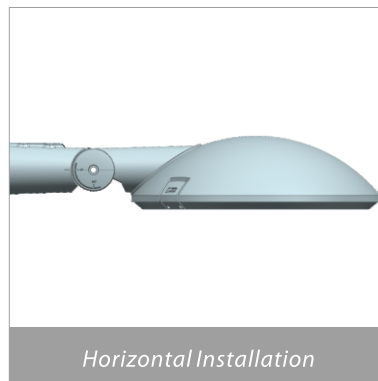
**Product size:**



## Installation:

- The *Essence* series is a 2-in-1 mounting system urban lighting luminaire, post-top mounting arms, vertical and side entry brackets.
- 2 installation pipe diameters are available, 50-60mm and 60-76mm.
- Please look at the following information to finish installation.

## Installation Way:

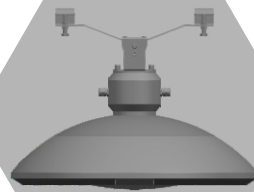


## Warranty:

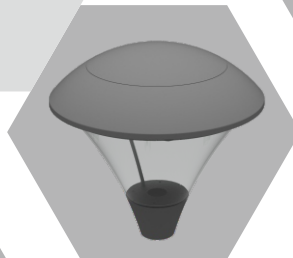
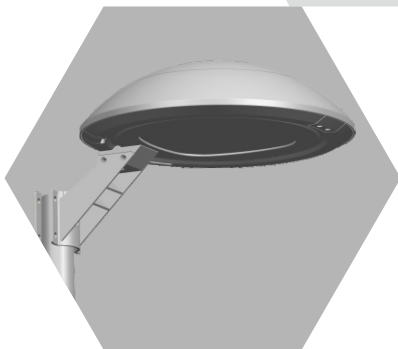
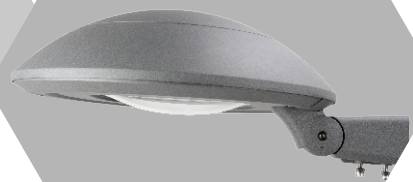
- 5 years limited warranty is standard on luminaire and components.

# 2020

Urban lighting Essence Series



7 in 1  
Solution



# KTSL5803



*The manufacturer reserves all rights to make changes in the materials and components used in tis products. All data is subject to change without prior notice.  
The tolerance for all the given data is 10%.*

## Product Description:

- Essence series is an excellent street lighting solution for urban areas of important architectural value, a smart and versatile design of 7-in-1 installation, post-top mounting, bracket side entry mounting or suspended mounting.
- Equipped with high-quality electrical components, long lifetime is assured. Tool-free design and power switch-off device, enables easy, safe and minimal cost for maintenance. Efficient system could reduce energy consumption and to create a more attractive urban living environment and visual comforts for public and residential areas.
- With patented housing design and range of optics, *Essence* series luminaire is also a perfect choice for project oriented usage.

## Features:

- Smart and versatile design of 7-in-1 installation
- Excellent thermal management
- Outstanding self-cleaning capability
- Patented optics for increased application efficiency
- Tool-free maintenance

## Application:

- Urban streets
- Public areas
- Parking lots
- Residential areas



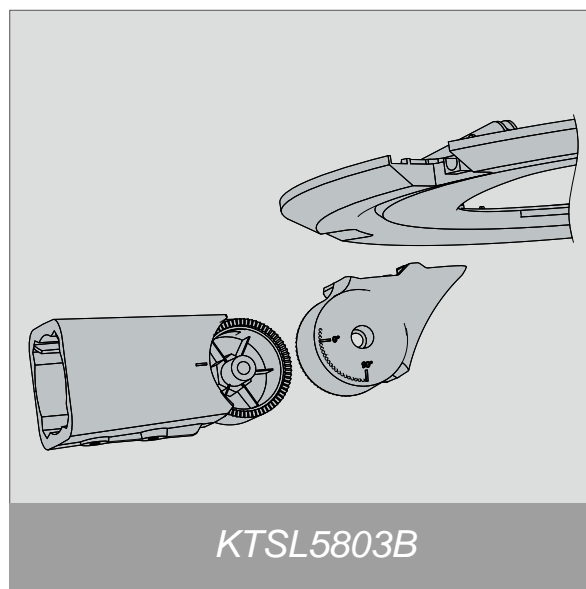
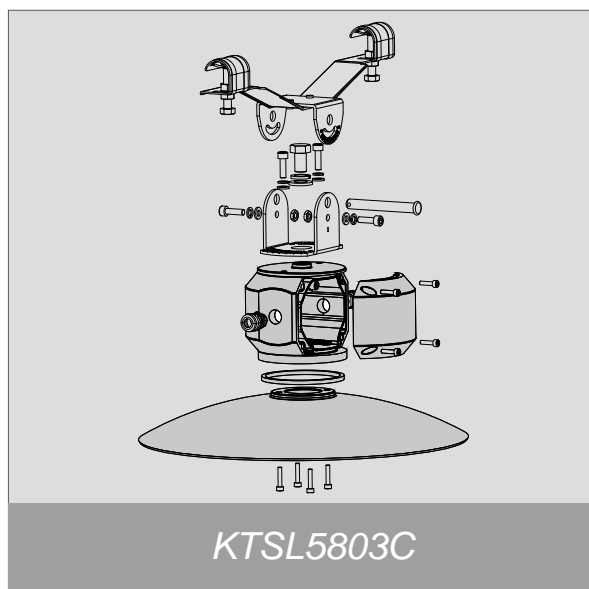
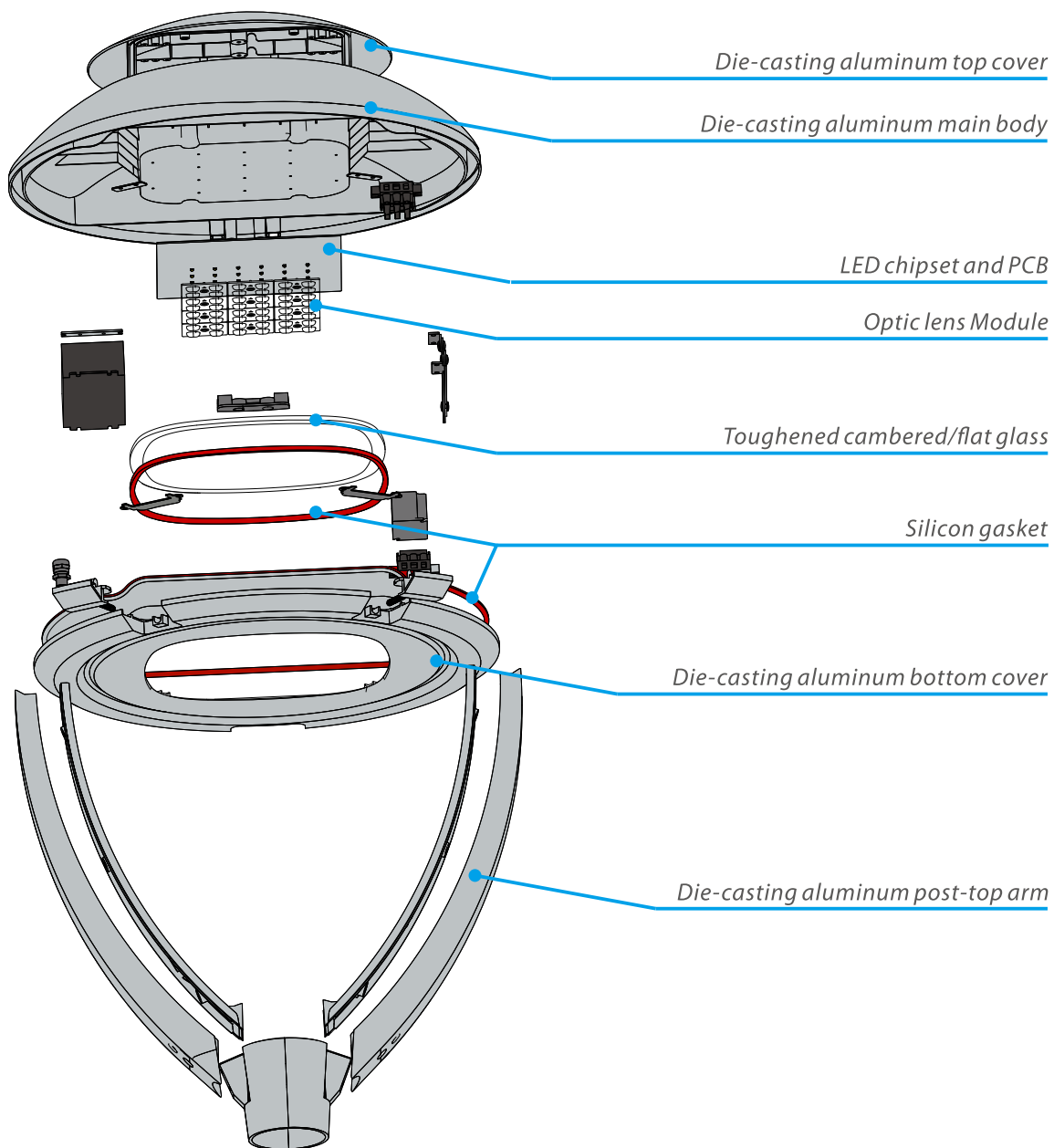
## Specifications:

### KTSL5803



Model	KTSL5803A/B/C/D/E/F/G
Light source	Integral LED Module
Power	40W/60W/80W/100W/120W (Other power upon request)
Luminaire flux	2600-16000lm
Luminaire efficacy	110-140lm/W
CCT	4000K (3000K/5000K/5700K upon request)
CRI	> 70 > 80(upon request)
Lifetime	100,000 hours at 25°C ambient temperature
Operating temperature range	-30 to 45°C
Driver	Meanwell (Inventronics optional) Other brand of driver(upon request)
Electrical	Class I or Class II Input voltage: 90-305VAC/50-60Hz, 170-305VAC/50-60Hz 10KV/20KV SPD Power automatically switch off when opening
Dimming	Dali 1-10V PWM AstroDIM for autonomous dimming with five independent levels Smart control management system
Options	Photocell Surge protection device (up to 20KV) 0.5m External cable(Other length upon request) Smart control device Motion detection
Materials	Housing: ADC12 die-cast aluminum Cover: Toughened cambered/flat glass Screws: 304 stainless screws
Color	Grey/ Black/ white
Tightness level	IP66
Impact Resistance	IK08
Installation	Recommended mounting height: 3-12M
Standards & Certifications	CE ENEC CB GS IEC ROHS LM80 LM79 TM21 All measurements in TUV sud Laboratory

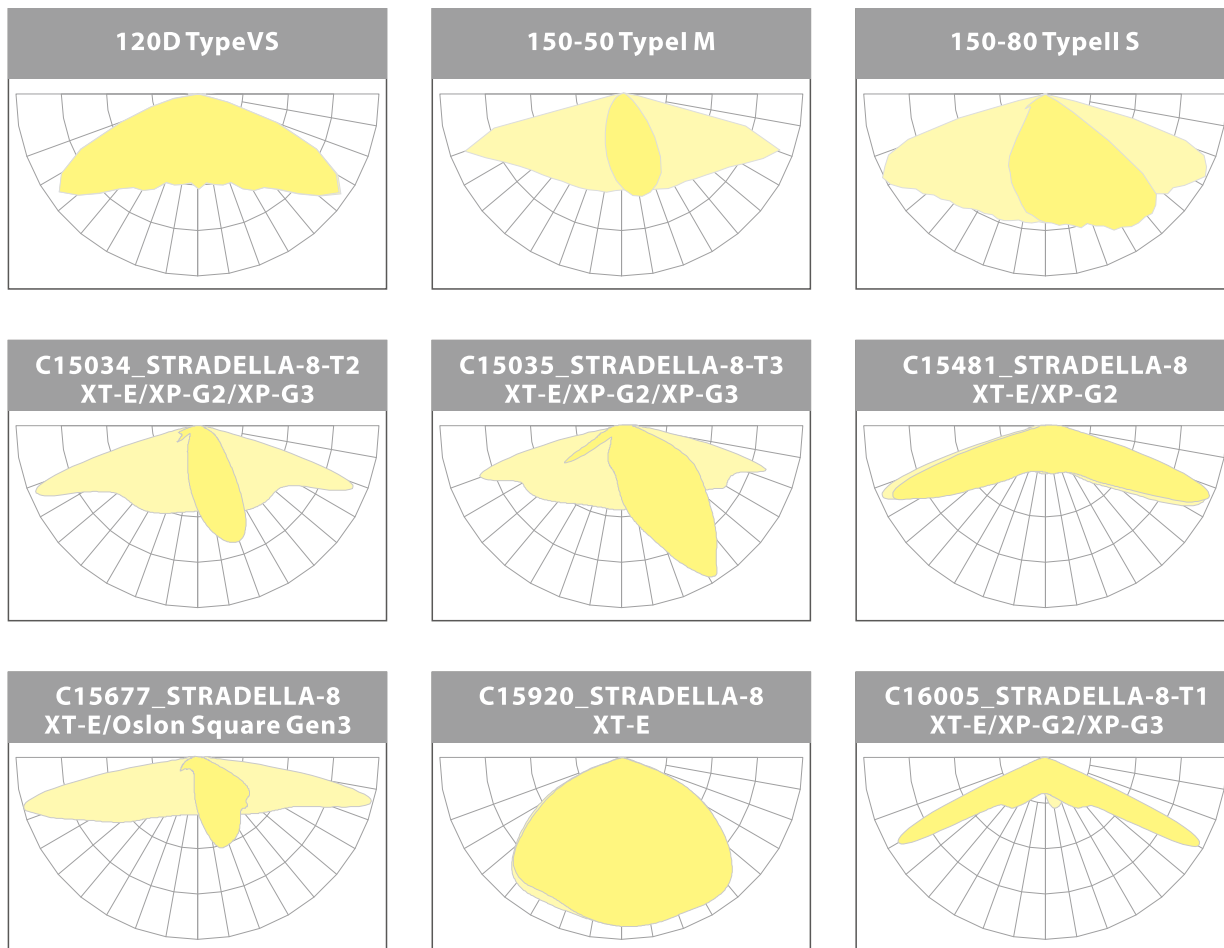
## Luminous structure Diagram (standard options)



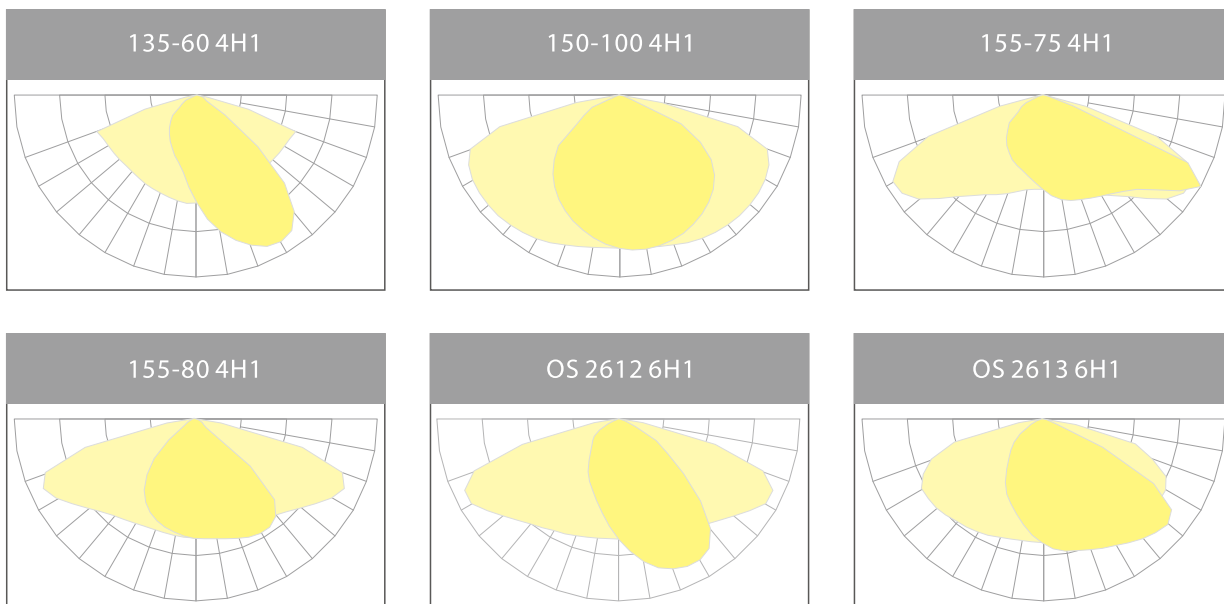
## Luminous Intensity Distribution Diagram

The Essence series LED street light luminaire come with a robust optic compartment design, enable many different options of LED chipset and optic lens modules, which will help customers to always cope with the latest development of efficiency of led by using different type of led package, from 3030, 3535 to 5050.

Option 1: with 3535 LED package, basically the Essence could offer 9 standard light distribution curves as following



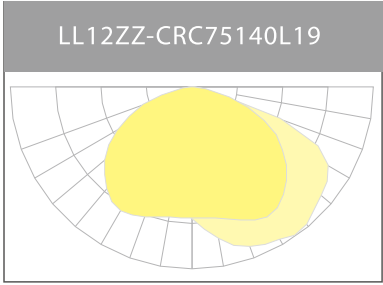
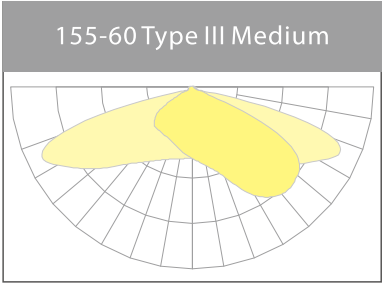
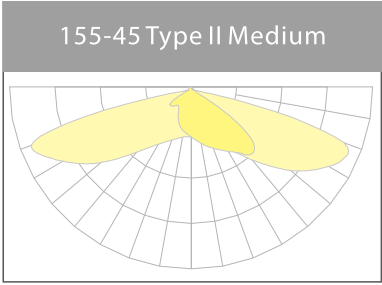
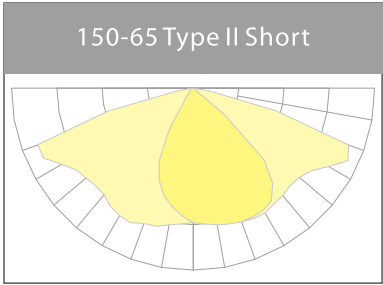
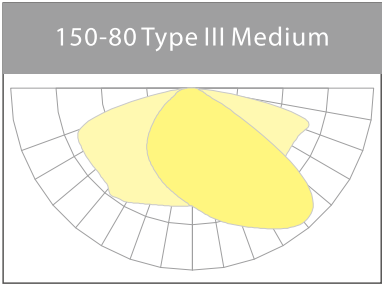
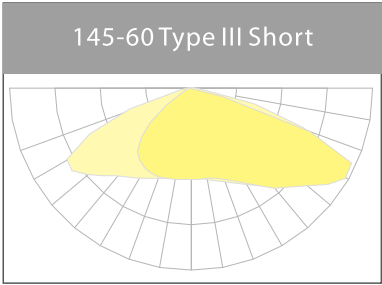
Option 2: with 5050 LED package, basically the Essence could offer 27 standard light distribution curves as following







Option 3: with 3030 LED package, basically the Essence could offer 6 standard light distribution curves as following



-High pressure die-casting aluminum housing with invisible built-in heat sink curves, supply sufficient heat dissipation for led module up to 120W

- Galvanised steel supporting bracket, for easy maintenance

- Toughened cambered/flat glass with 5mm thickness, IK09 Impact Resistance

SPD 10KV/20KV

- Tool free opening the luminaire, one step access to the gear and optic compartment

- Silicon gasket High temperature resistance

- Electrical disconnecter, automatically disconnect the power supply when opening the luminaire



Press-and-push tool free opening



Use of screwdriver is prohibited



Use of screwdriver is prohibited

**Pictures:**



*KTSL5803A*



*KTSL5803B*



*KTSL5803B*



*KTSL5803 Internal*

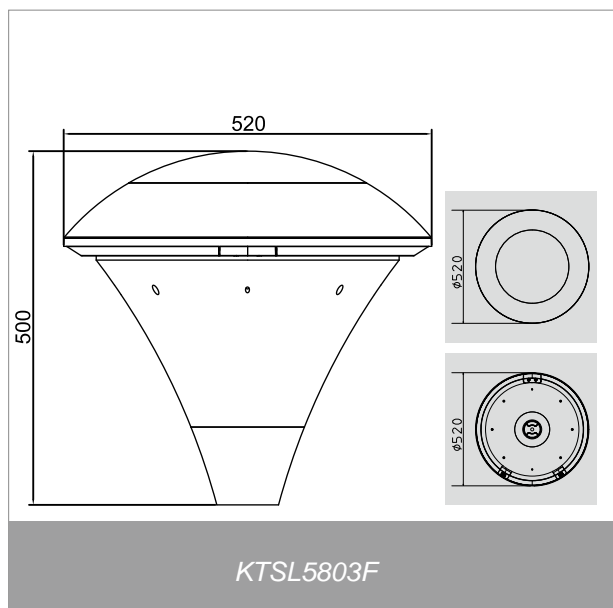
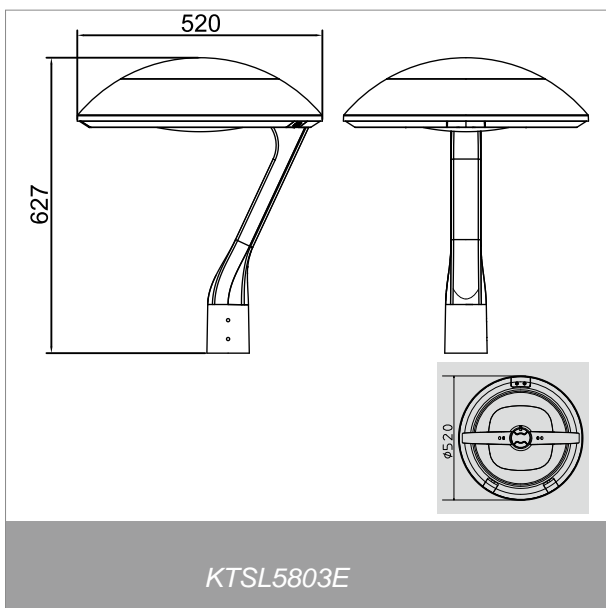
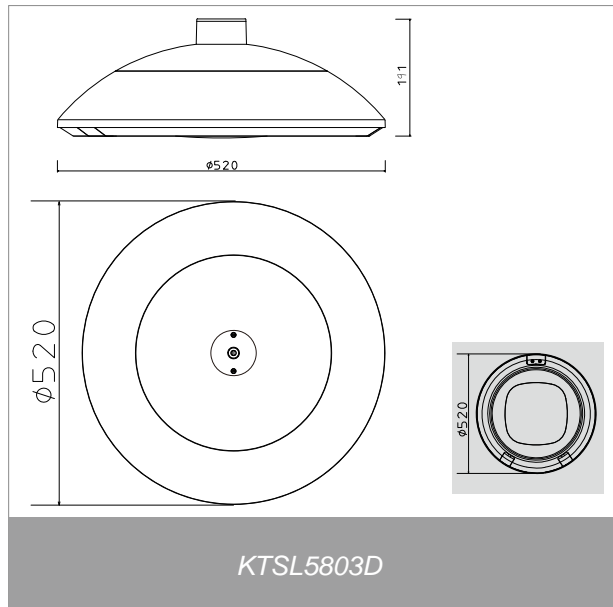
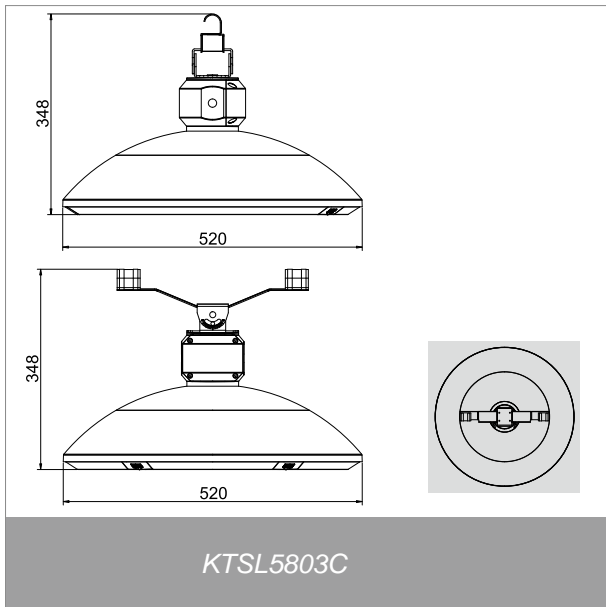
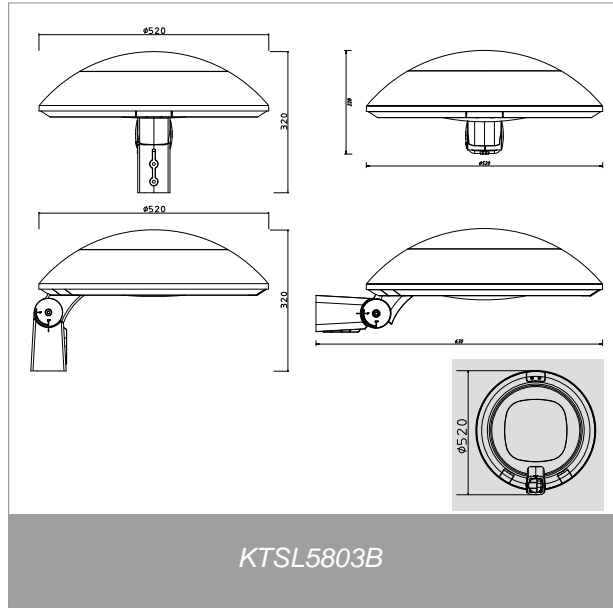
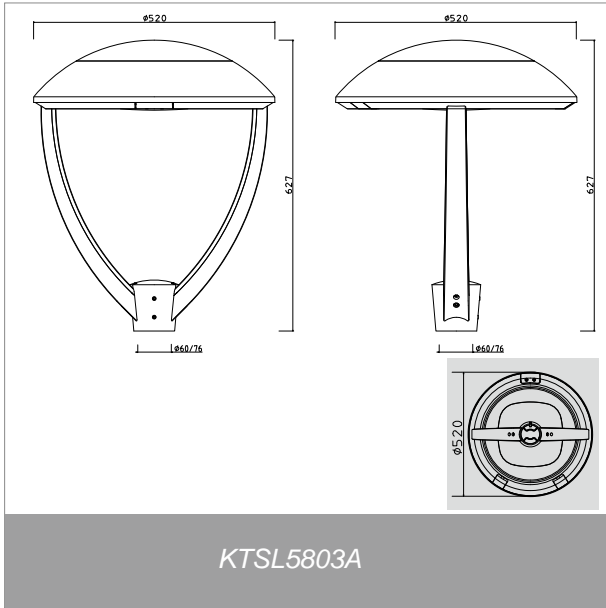


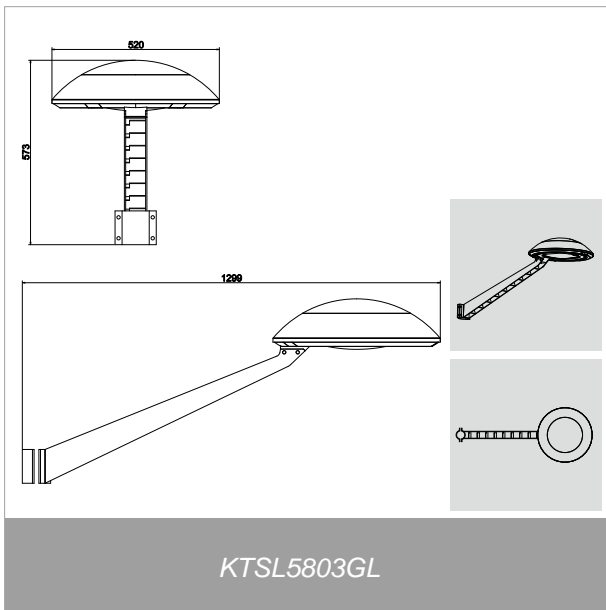
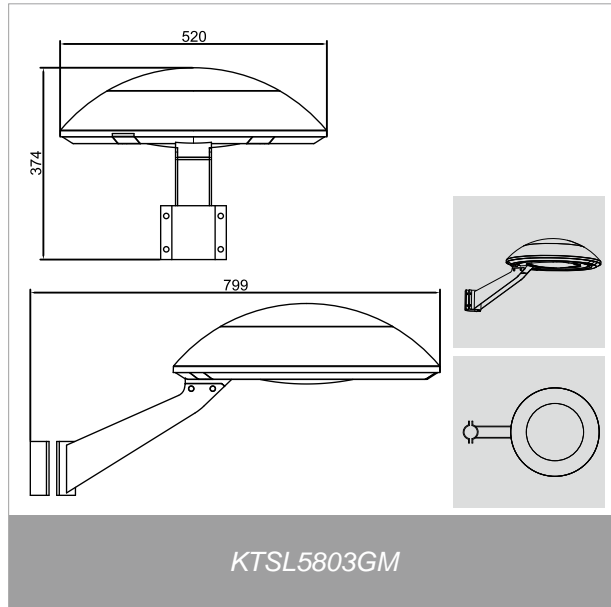
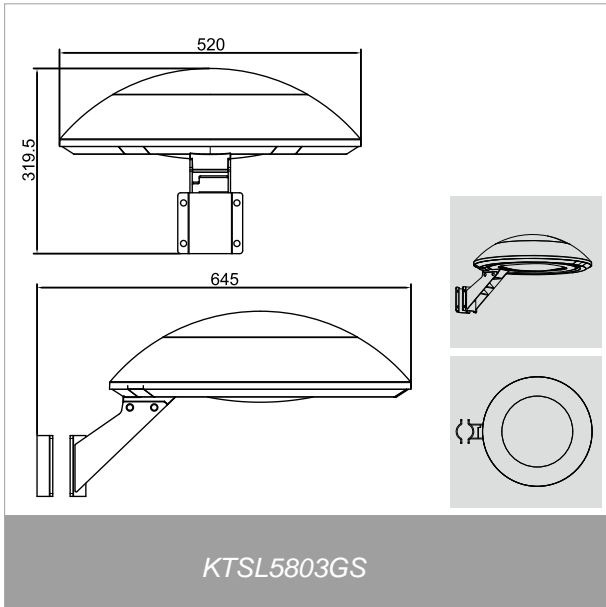
*Photocell (optional)*



*KTSL5803 Optic*

Product size:





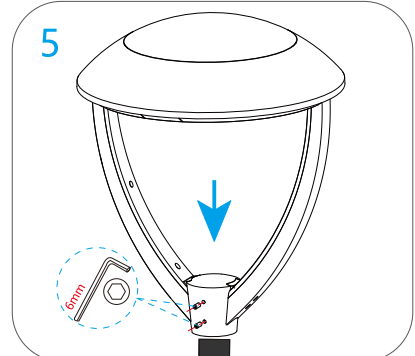
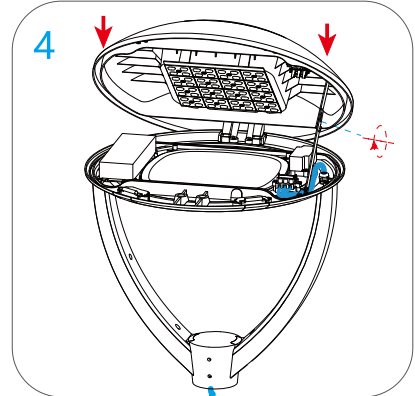
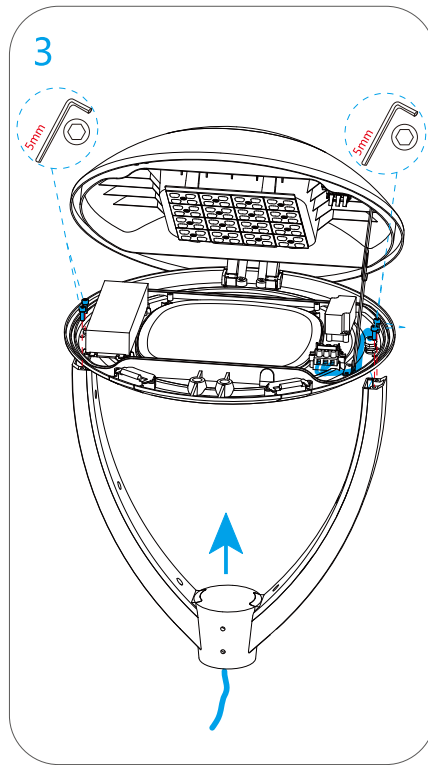
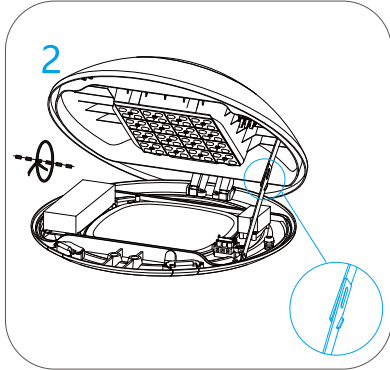
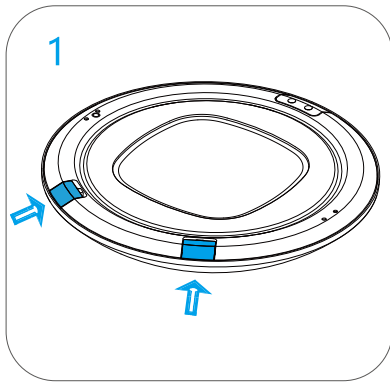
## Installation:

- The *Essence* series is a 4-in-1 mounting system urban lighting luminaire, post-top mounting arms, vertical and side entry brackets, suspension mounting kits are optional.
- 2 installation pipe diameters are available, 50-60mm and 60-76mm.
- Please look at the following information to finish installation.

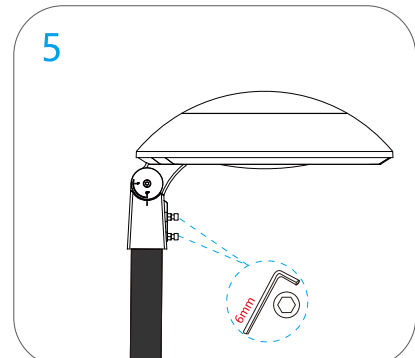
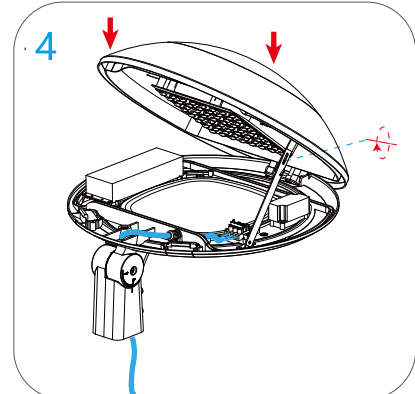
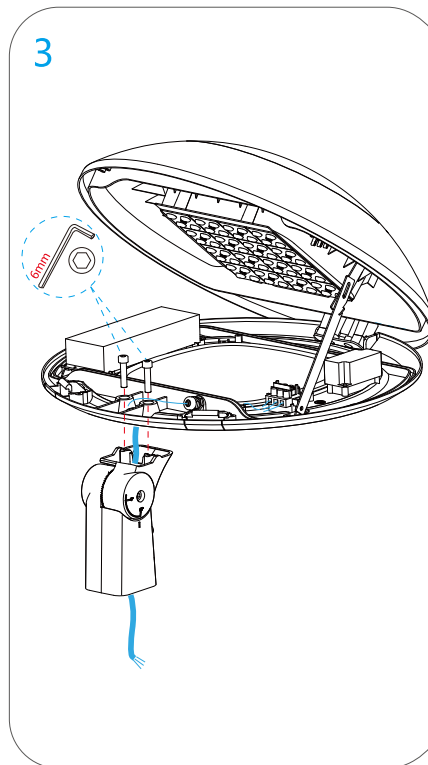
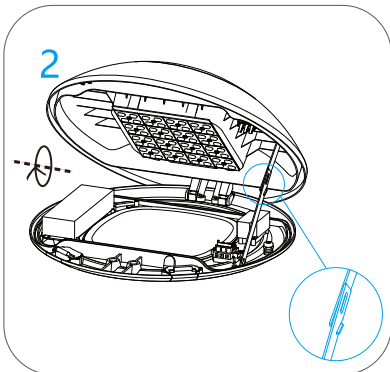
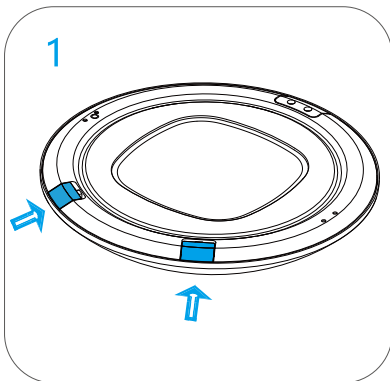
### Installation Way:



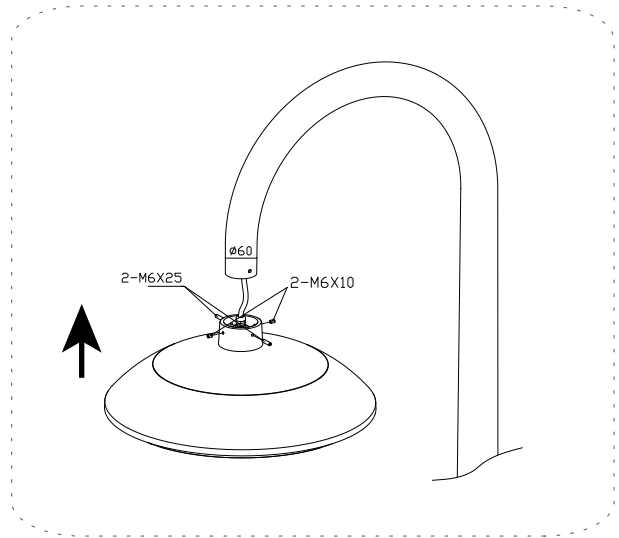
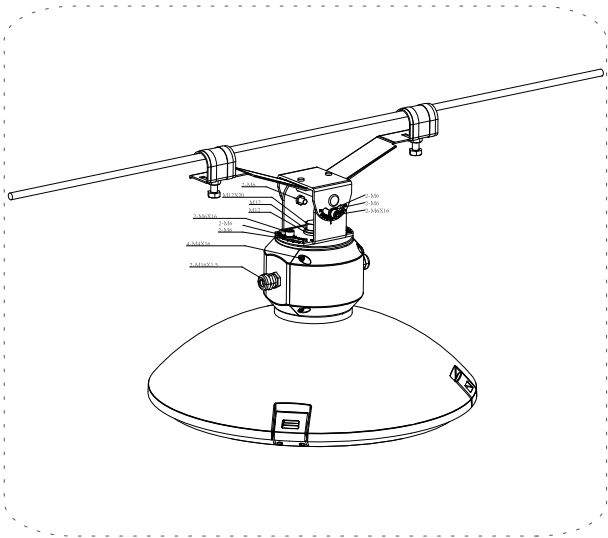
## LED Garden light



## LED Street light



## LED Post Top Lamp



## Packaging:

Model	Carton Size(mm)	N.W.(Kg)	G.W.(Kg)
KTSL5803A	580x580x290	12.0	13.0
KTSL5803B	580x580x290	11.0	12.0
KTSL5803C	580x580x290	11.0	12.0
KTSL5803D	580x580x290	11.0	12.0

<p>Item NO.:KTSL5803            N.W.: Kg            G.W.: Kg            QTY: PCS            SIZE: x x MM</p>	

## Warranty:

- 5 years limited warranty is standard on luminaire and components.

## Project Cases:







## Hunan Kontak Technology Co,Ltd

---

Add:No. 59, Second Section, Furong Middle Road,  
Furong, Changsha, Hunan, China

Tel:+86 731 85860892

E-mail:kontak@kontak-cn.com

[www.kontak-cn.en.alibaba.com](http://www.kontak-cn.en.alibaba.com)

[www.kontakledlight.com](http://www.kontakledlight.com)